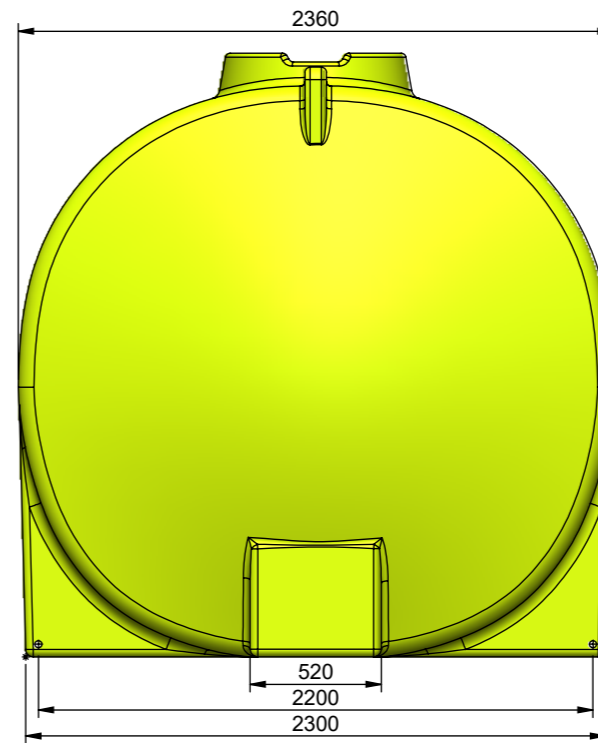
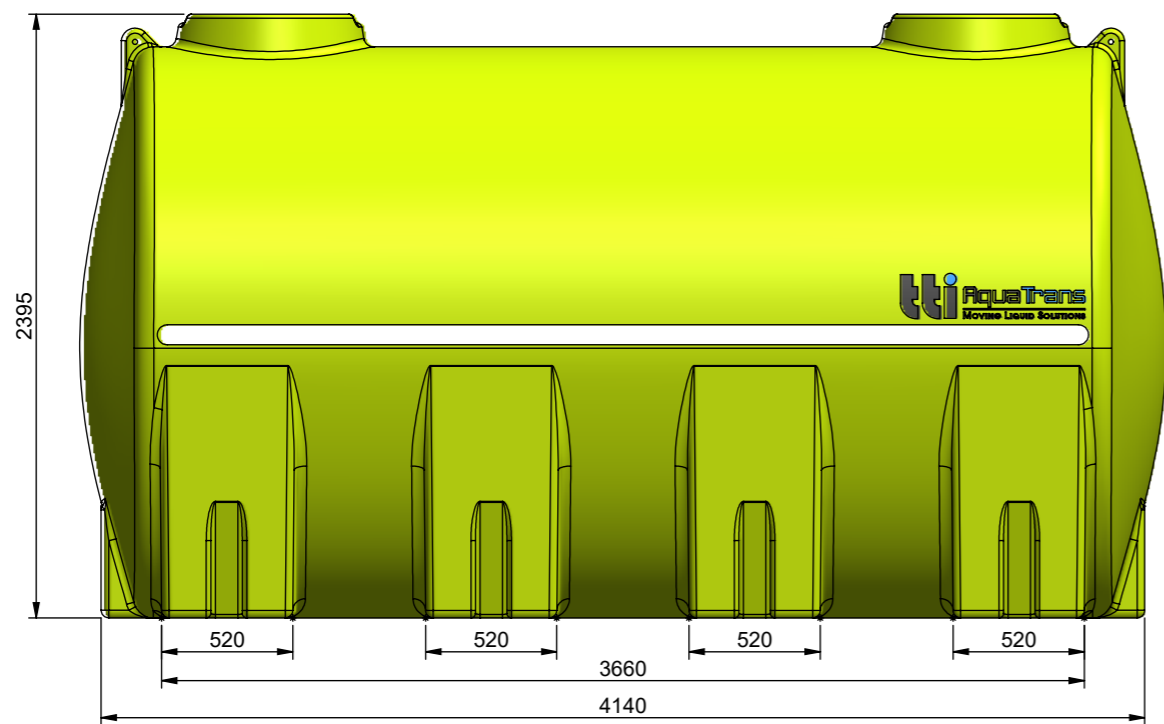
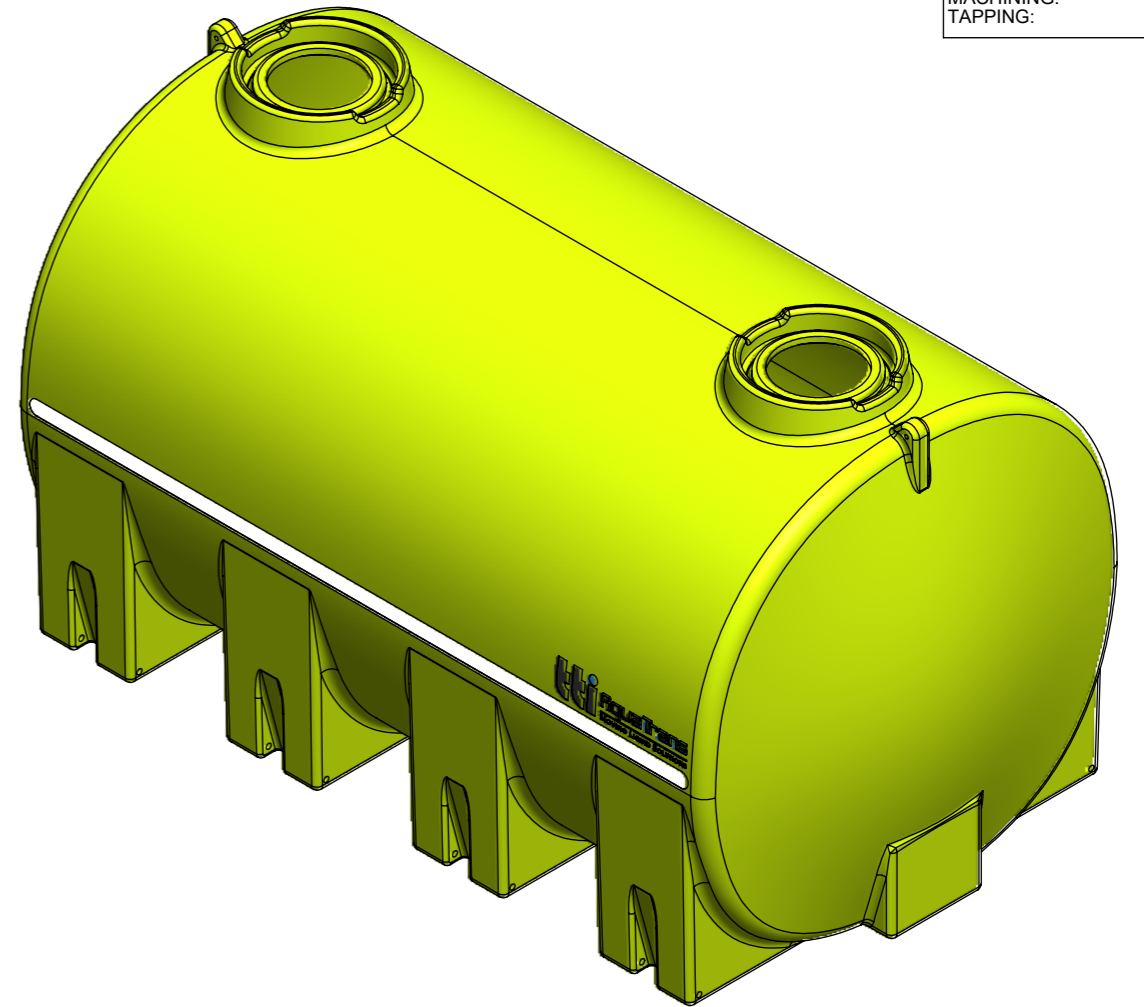
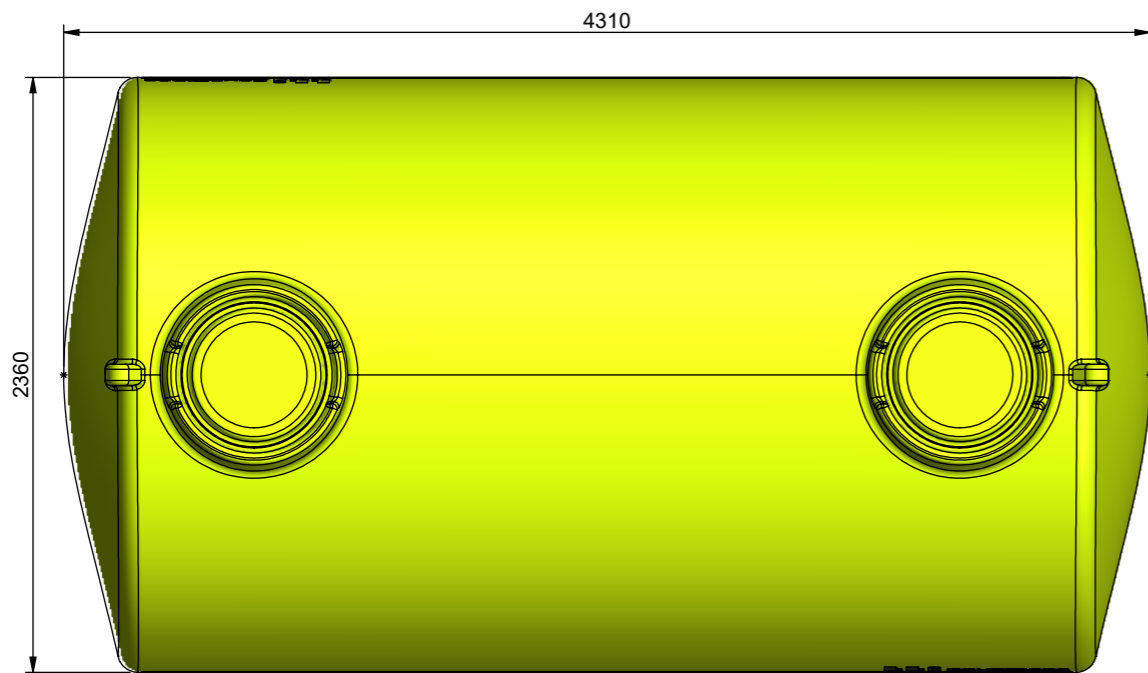


MASS: kg
ALL DIMENSIONS ARE IN-mm

BENDING: K-FACTOR:
MACHINING:
TAPPING:



MATERIAL: LLDPE
MATERIAL SIZE:

- NOTES:
1. WORK TO DIMENSIONS. DO NOT SCALE.
2. REMOVE ALL VISIBLE BURRS.

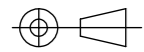
GENERAL TOLERANCES UNLESS NOTED
 • 0 ±0.5
 • 0.0 ±0.25
 • 0.00 ±0.1
 • ANGLE ±1/2°
 • FINISH 3.2µm



Australia's Safest Tanks and Trailers
 This drawing is the property of TransTank International. It cannot be copied in part or in full without the written permission of TTI.

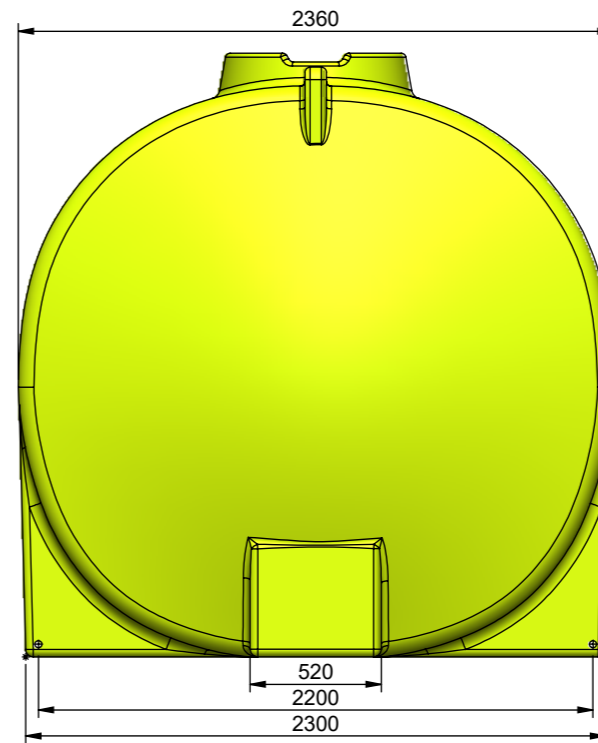
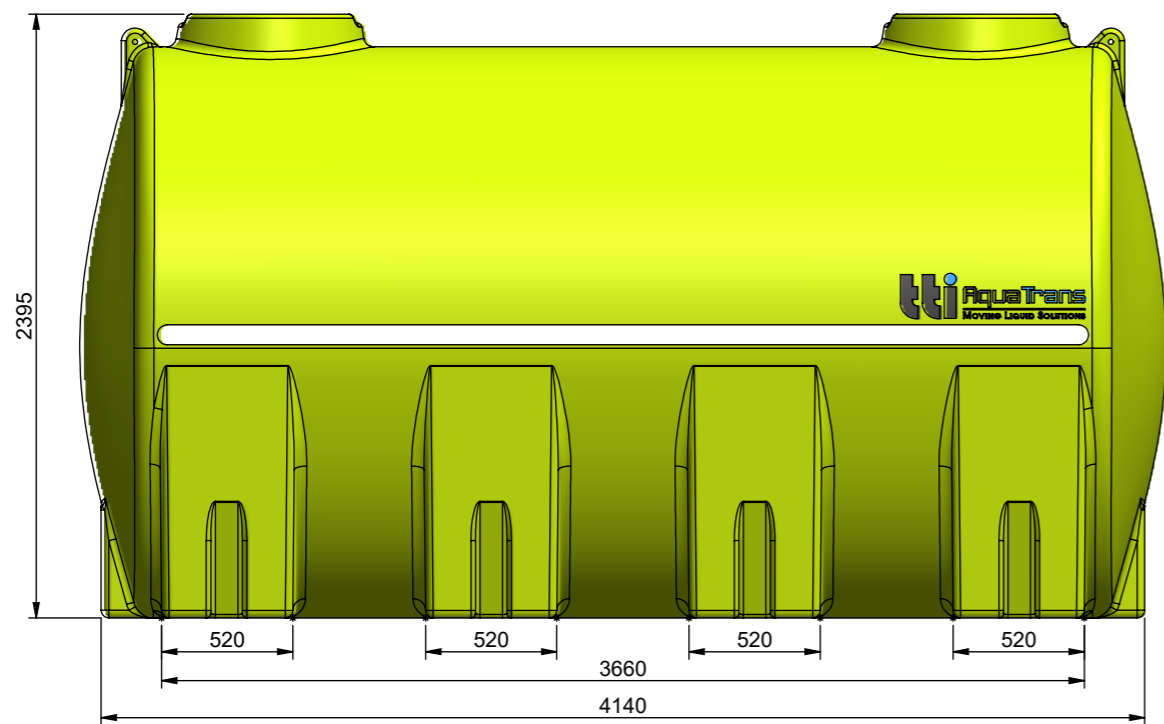
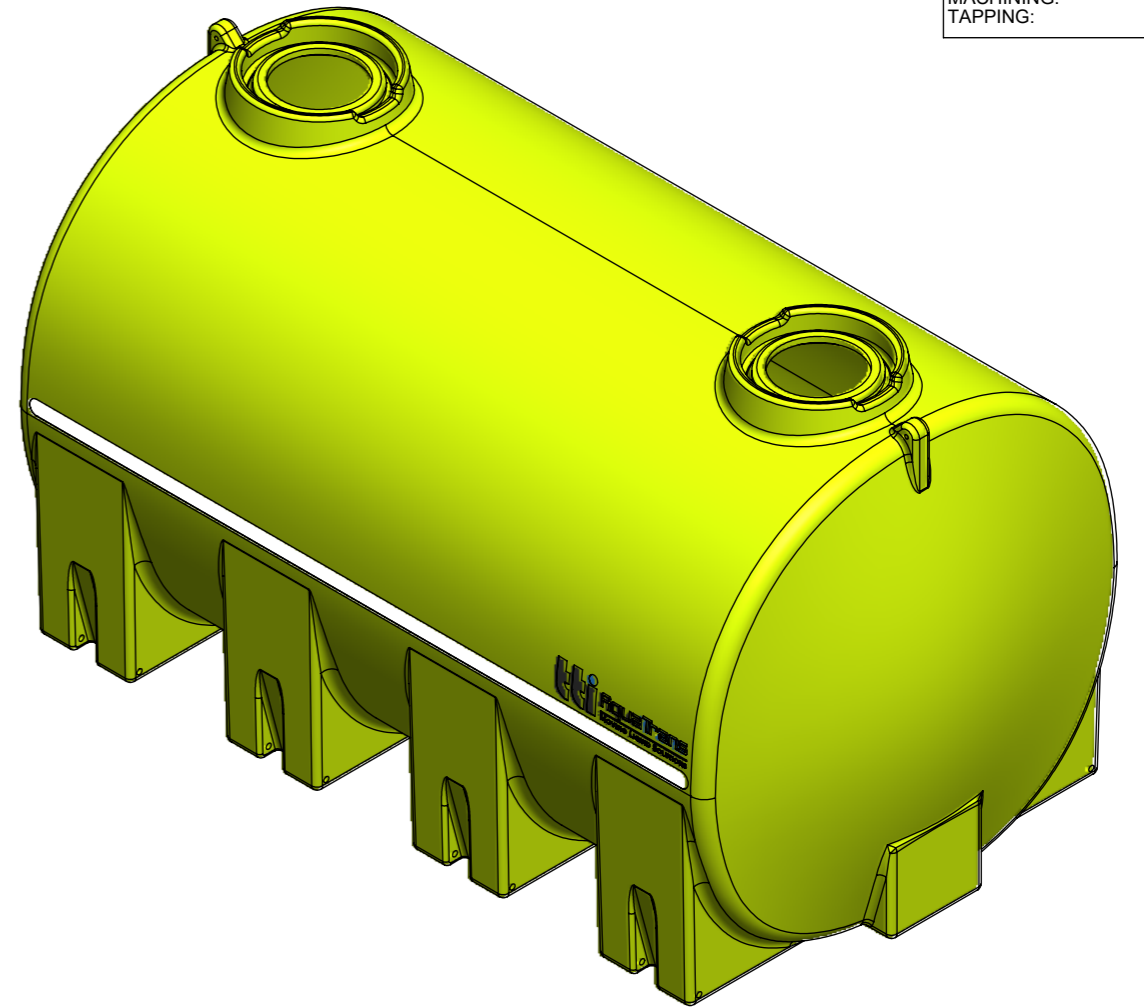
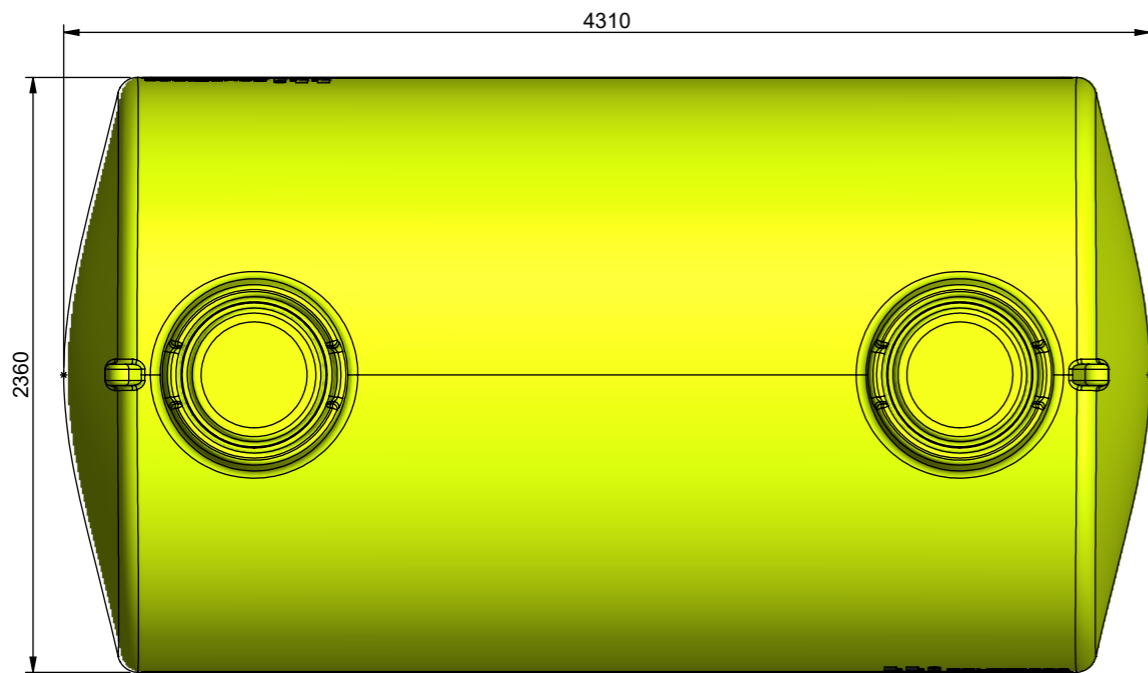
SCALE	NONE	DWG NO.	PTC17000ASG	REVISION	1 OF 1
SHT SIZE	A3	DESCRIPTION	17000L AQUA LP TANK		
DATE	17/05/2019	FILE NAME	TANK DRAWING		
DRN	ED				
CHK	RB				
APP	RB				

REV	DESCRIPTION	DRN	CHK/APP	DATE
1				
2				
3				
4				
5				
6				
7				
8				



MASS: kg
ALL DIMENSIONS ARE IN-mm

BENDING: K-FACTOR:
MACHINING:
TAPPING:



MATERIAL: LLDPE
MATERIAL SIZE:

- NOTES:
1. WORK TO DIMENSIONS. DO NOT SCALE.
2. REMOVE ALL VISIBLE BURRS.

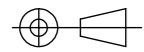
GENERAL TOLERANCES UNLESS NOTED
 • 0 ±0.5
 • 0.0 ±0.25
 • 0.00 ±0.1
 • ANGLE ±1/2°
 • FINISH 3.2µm



Australia's Safest Tanks and Trailers
 This drawing is the property of TransTank International. It cannot be copied in part or in full without the written permission of TTI.

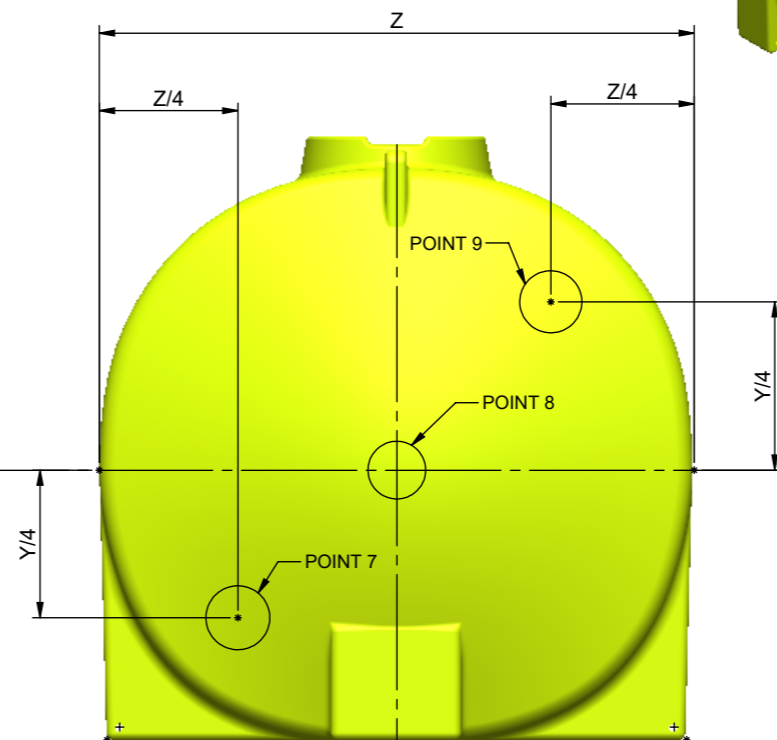
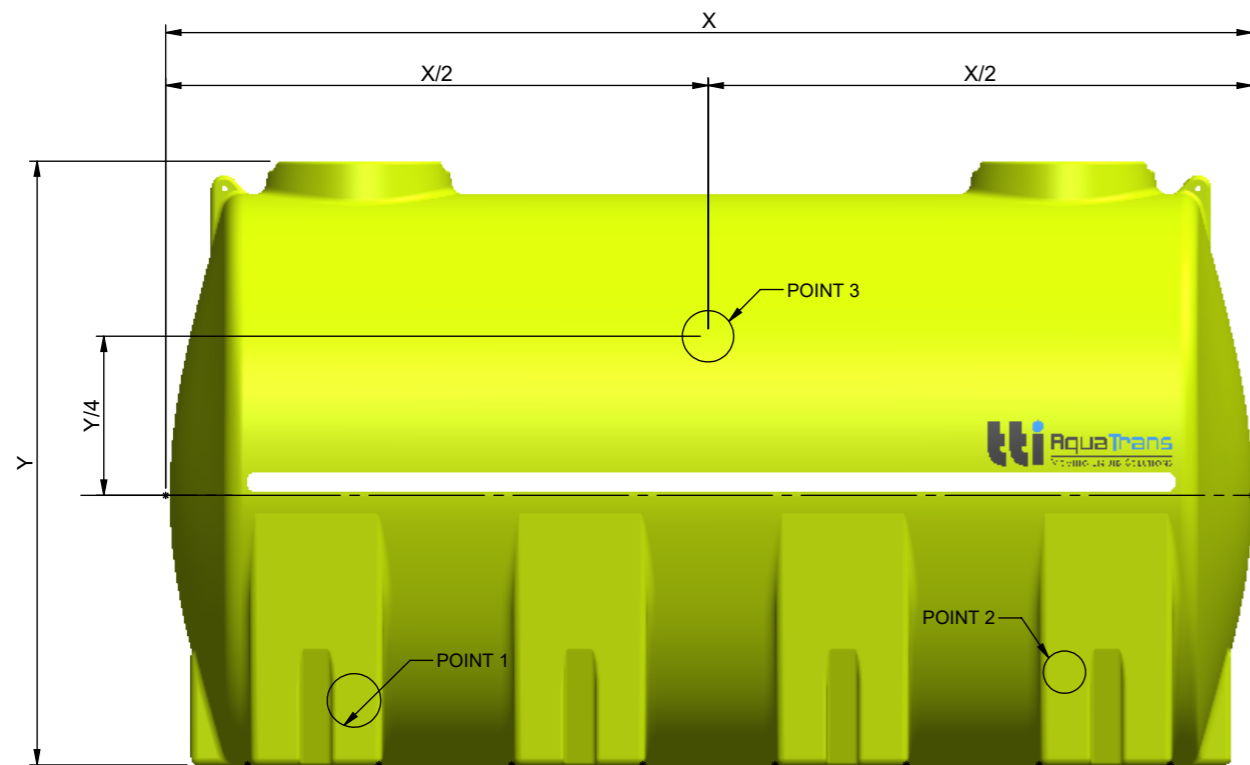
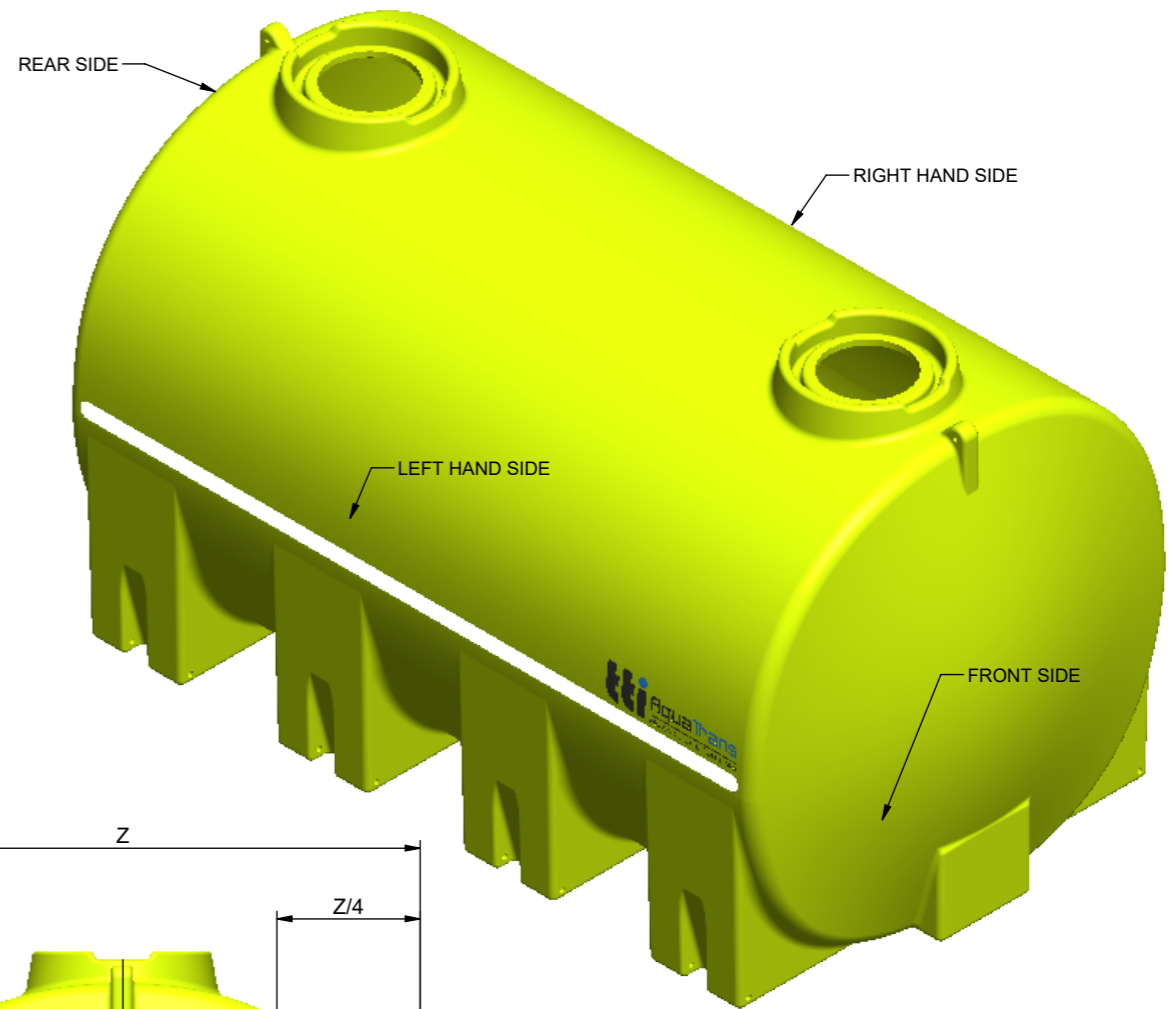
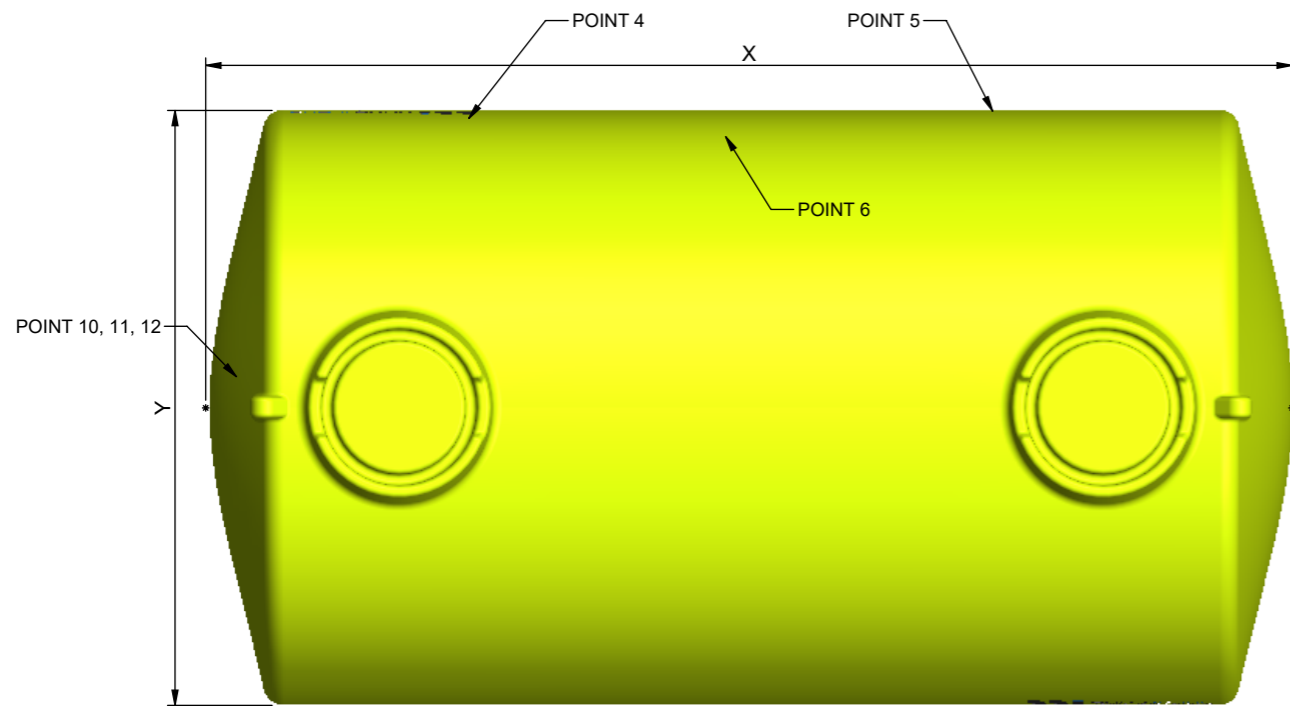
SCALE	NONE	DWG NO.	PTC17000ASG	REVISION	1 OF 1
SHT SIZE	A3	DESCRIPTION	17000L AQUA LP TANK		
DATE	17/05/2019	FILE NAME	TANK DRAWING		
DRN	ED				
CHK	RB				
APP	RB				

REV	DESCRIPTION	DRN	CHK/APP	DATE
1				
2				
3				
4				
5				



MASS: kg
ALL DIMENSIONS ARE IN-mm

BENDING: K-FACTOR:
MACHINING:
TAPPING:



- NOTES:
1. WORK TO DIMENSIONS. DO NOT SCALE.
2. REMOVE ALL VISIBLE BURRS.

GENERAL TOLERANCES UNLESS NOTED

•	0	±0.5
•	0.0	±0.25
•	0.00	±0.1
•	ANGLE	±1/2°
•	FINISH	3.2µm



Australia's Safest Tanks and Trolleys
This drawing is the property of TransTank International. It cannot be copied in part or in full without the written permission of TTI.

SCALE	NONE	DWG NO.	PTC17000ASG	REVISION	1 OF 1
SHT SIZE	A3	DESCRIPTION	17000L AQUA LP TANK		
DATE	17/05/2019	FILE NAME	TANK DRAWING		
DRN	ED				
CHK	RB				
APP	RB				

REV	DESCRIPTION	DRN	CHK/APP	DATE
1				
2				
3				
4				
5				
6				
7				
8				